

## Milton & Prescott

These printable are shared for personal use without cost in the hope that they will positively impact the children who use them.

Please be respectful of work shared on **Milton & Prescott** by ...

- Directing colleagues and others interested in this resource to [miltonandprescott.com](http://miltonandprescott.com) to download their free copy.
  - Giving proper credit for the work to **Milton & Prescott**.
- Providing links to [miltonandprescott.com](http://miltonandprescott.com) when referencing resources we have available.
  - Not selling **Milton & Prescott** work in any fashion, credited or otherwise.
  - Not posting **Milton & Prescott** work on another site.

Art work is provided by [creativeclips.com](http://creativeclips.com), [whismyclips.com](http://whismyclips.com), educclips and Microsoft Office



*Milton & Prescott, where we share what we have, to make a positive impact on young children.*

# I Like



Primer Series Reader 12

Focus Words: at, into, like

[miltonandprescott.com](http://miltonandprescott.com)

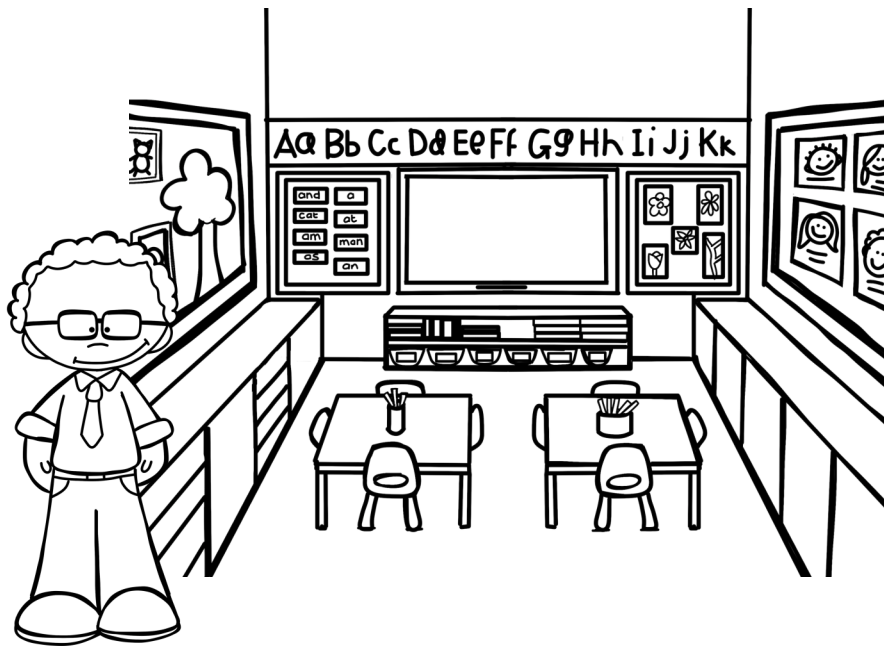
# I Like



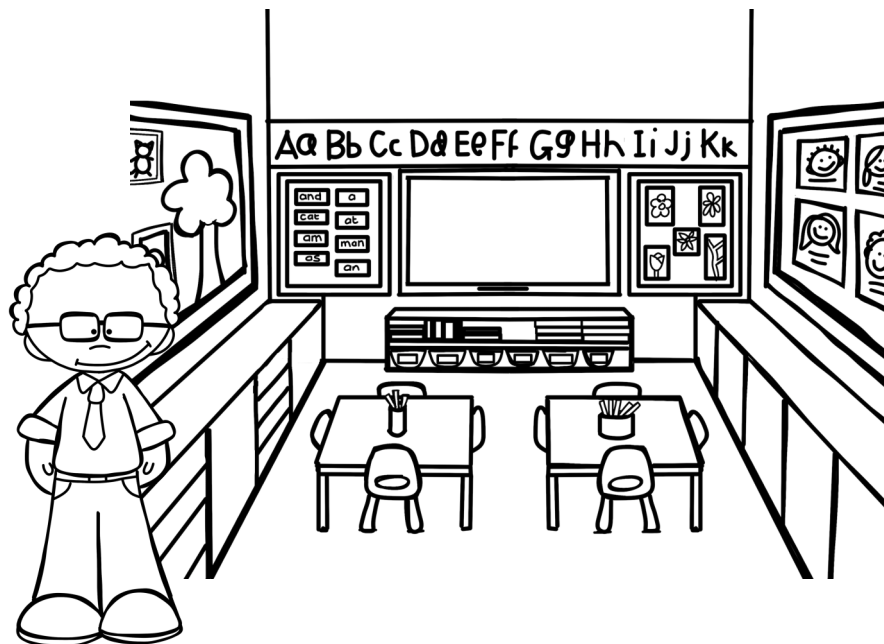
Primer Series Reader 12

Focus Words: at, into, like

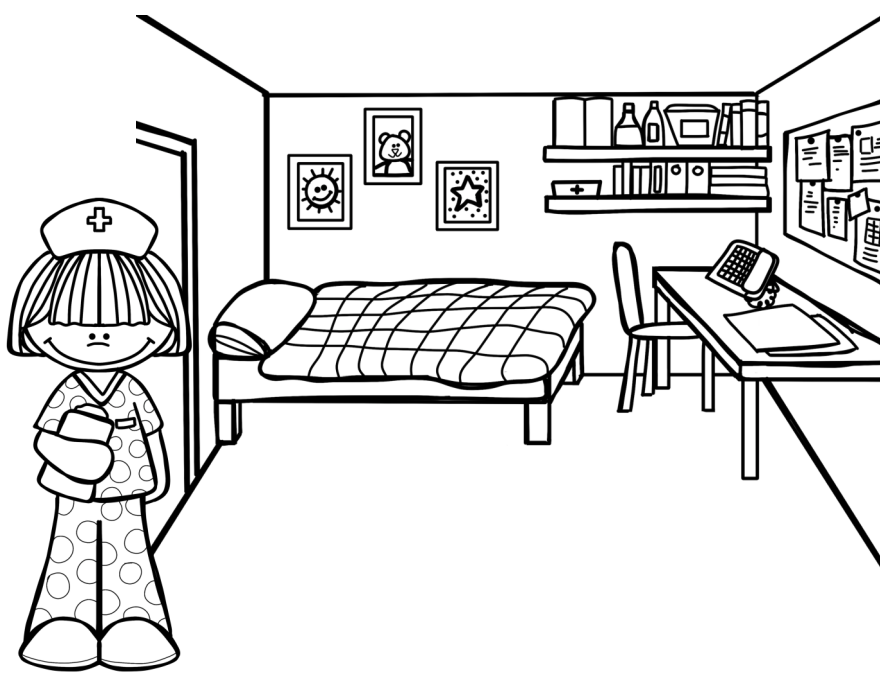
[miltonandprescott.com](http://miltonandprescott.com)



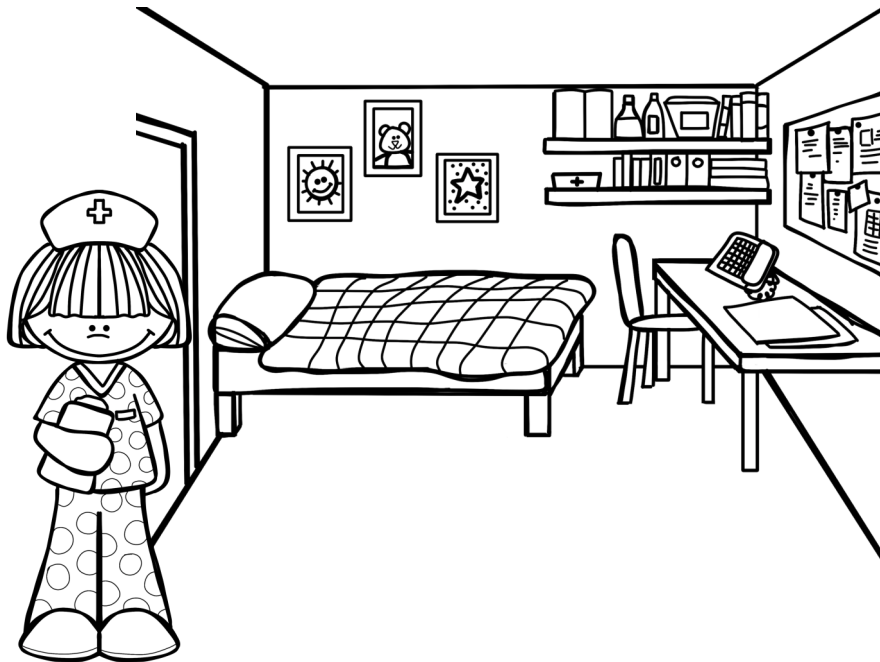
I like to go into my classroom  
at school.



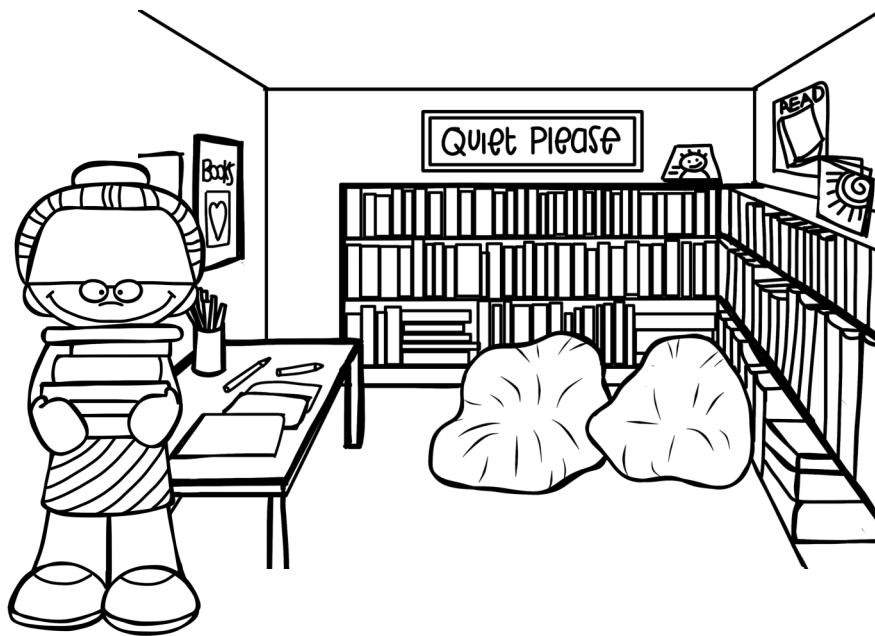
I like to go into my classroom  
at school.



**I do not like to go into the nurse's office at school.**



**I do not like to go into the nurse's office at school.**



I like to go into the library  
at school.



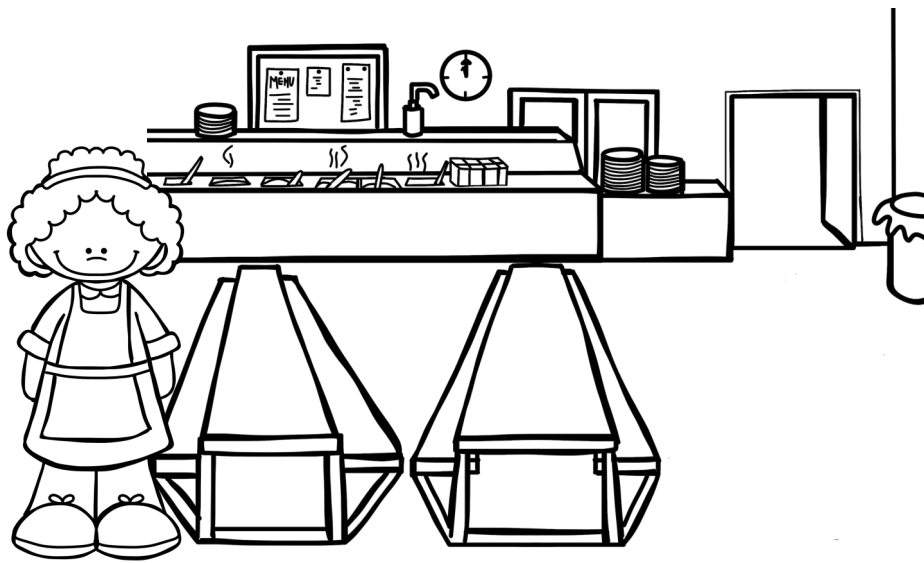
I like to go into the library  
at school.



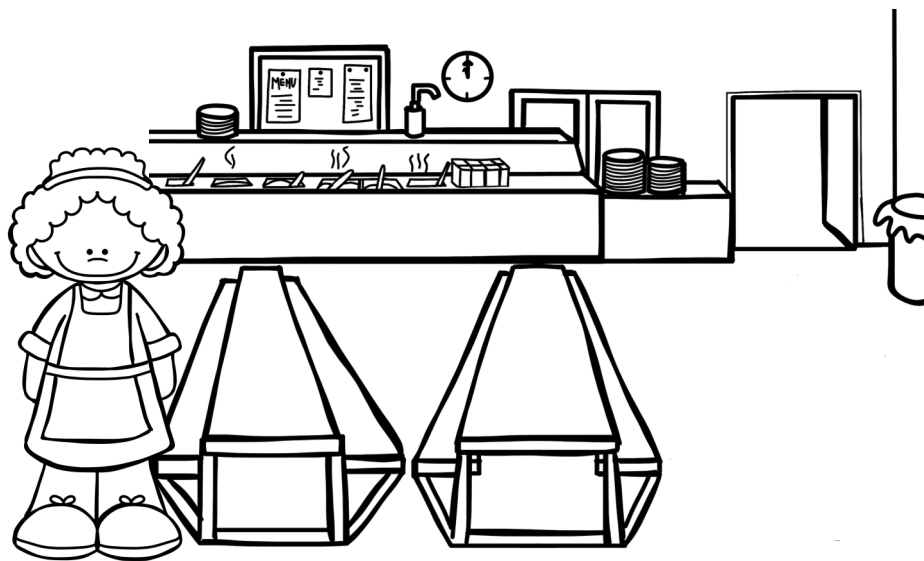
**I do not like to go into the  
principle's office at school.**



**I do not like to go into the  
principle's office at school.**



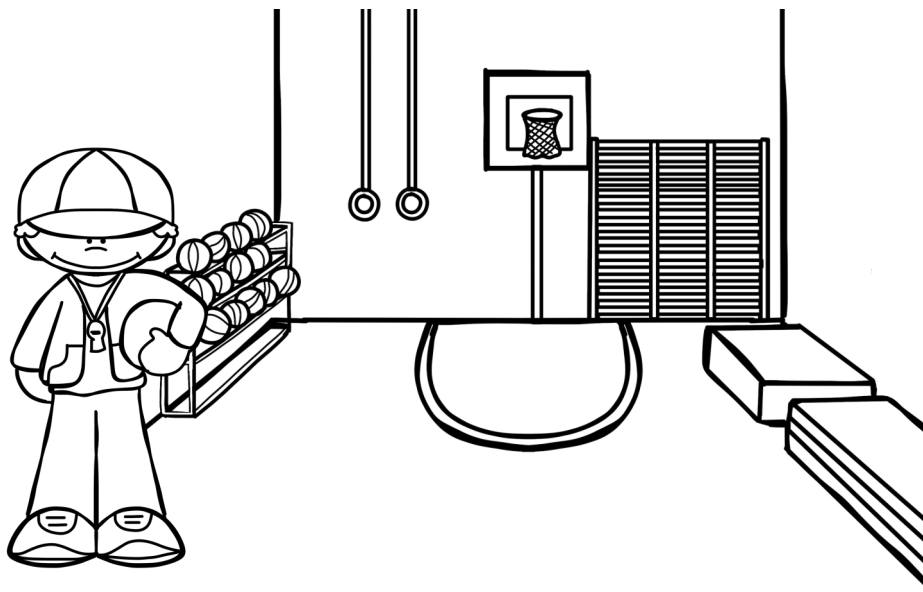
I like to go into the  
cafeteria at school.



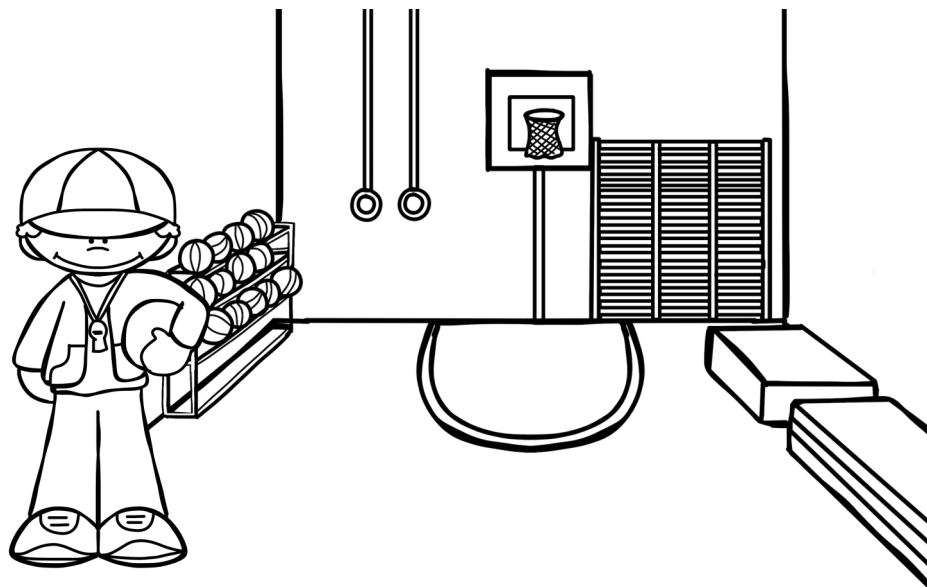
I like to go into the  
cafeteria at school.







**I like to go into the gym at school.**



**I like to go into the gym at school.**



**I like to go into school.**



**I like to go into school.**